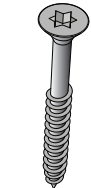


Assembly Instructions

Flying Optics Leg



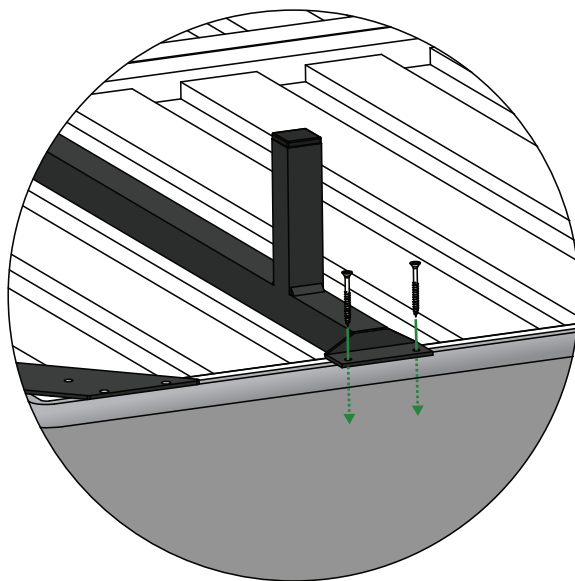
Follow this link for online instruction leaflet and instructional video:
jensen-beds.com/support/product/add-sliding-table



75cm, 80cm, 90cm, 105cm = 2x
150cm, 160cm, 180cm, 210cm = 4x

+
+

8x
16x



15cm-30cm*

HEAD

LEGS

30cm

*Recommended placement of flying optics for adjustable beds are 15cm at the head-end. Placement may also be adjusted when combined with other additional accessories.

