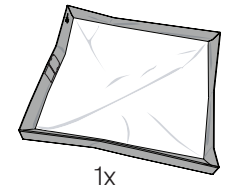
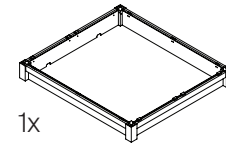
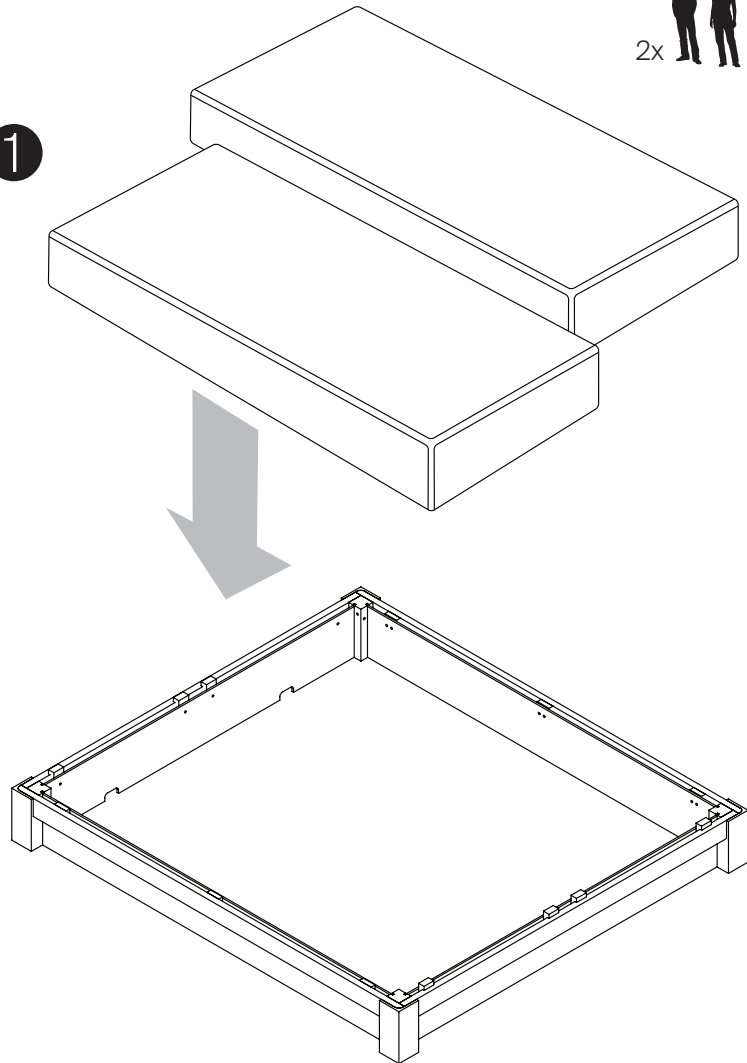


# Assembly Instructions

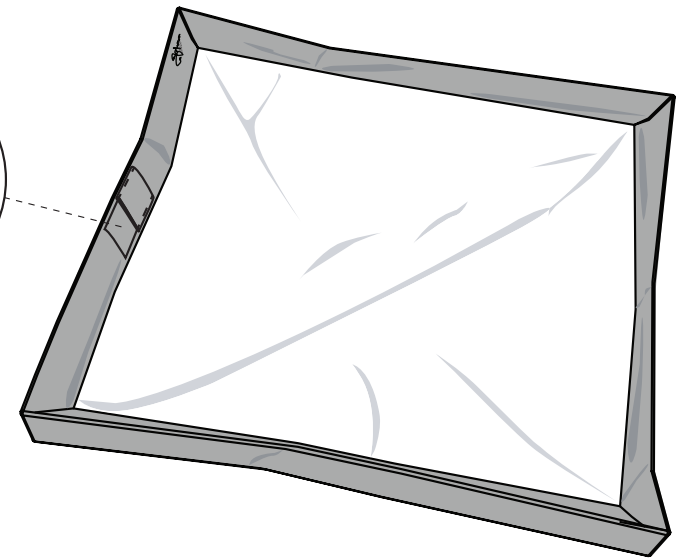
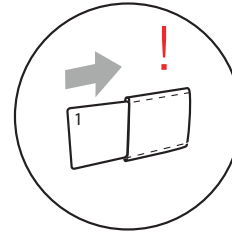
Seamless Base; Mistral Bed Base



1



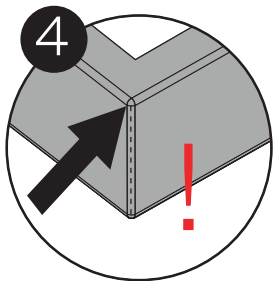
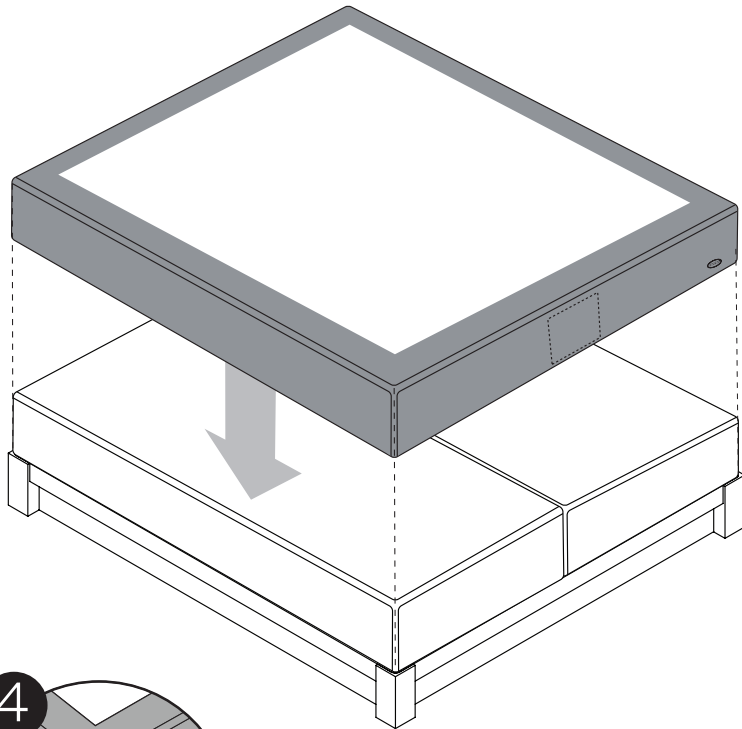
2



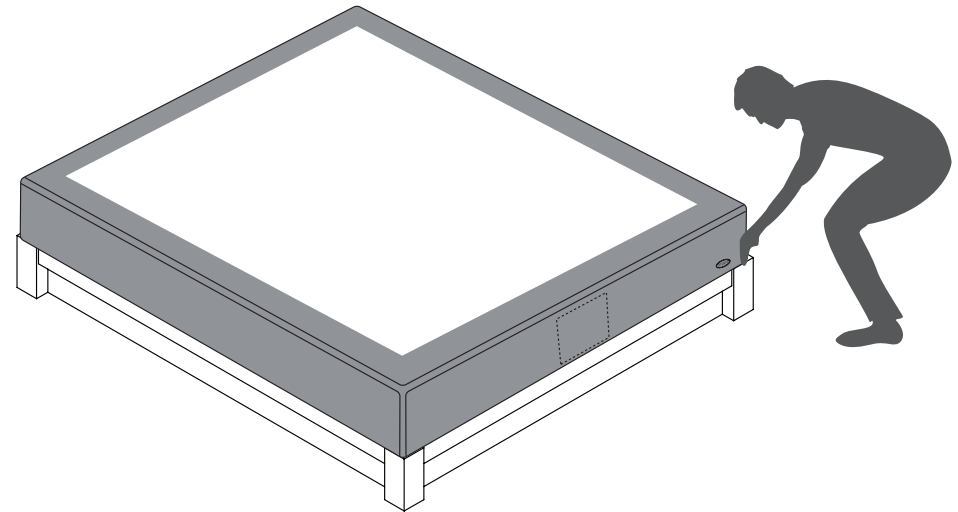
# Assembly Instructions

## Seamless Base; Mistral Bed Base

3



5



Attach velcro to the bottom of the bedfram all the way around.  
Lift each corner to adjust and attach cover properly.

Fest borrelås hele veien rundt undersiden av sengerammen.  
Løft hvert hjørne for å feste trekket korrekt også her.

JENSEN®