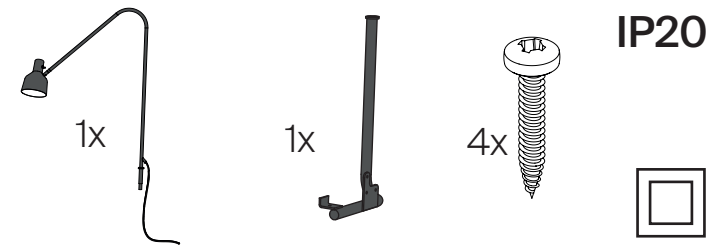
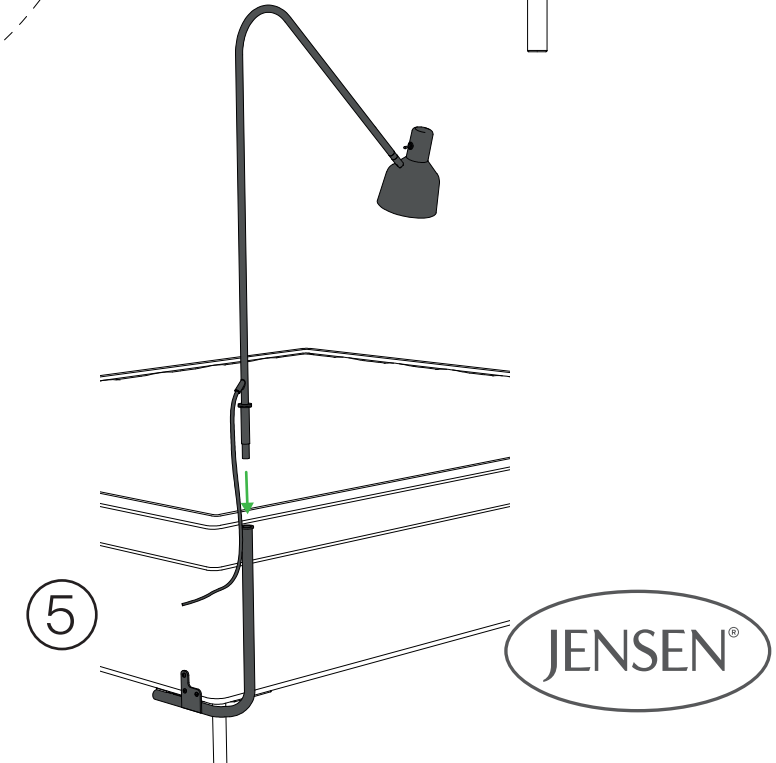
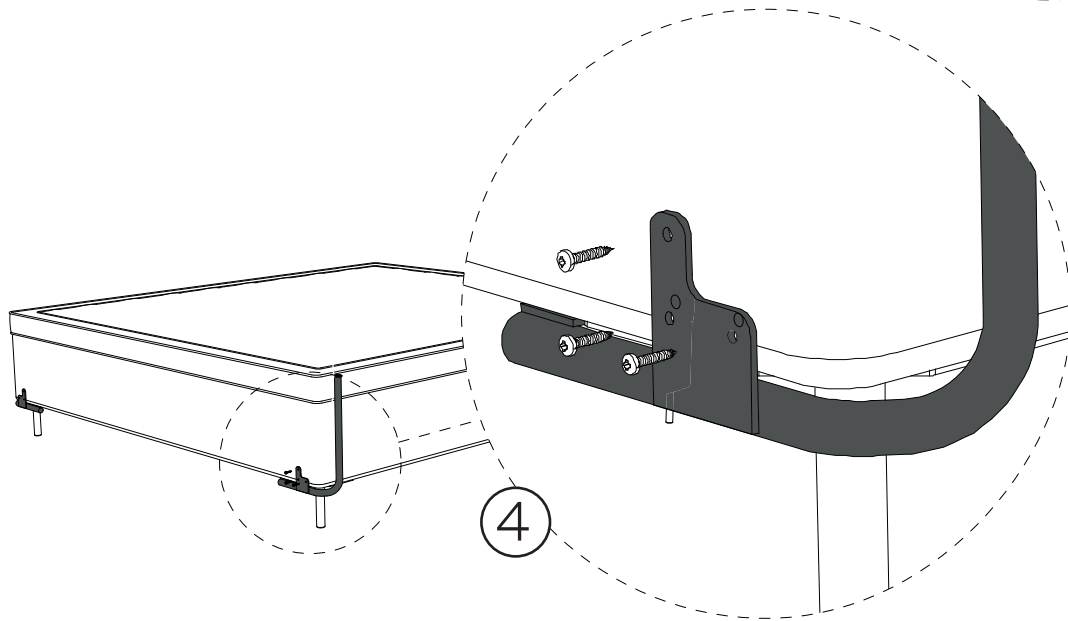
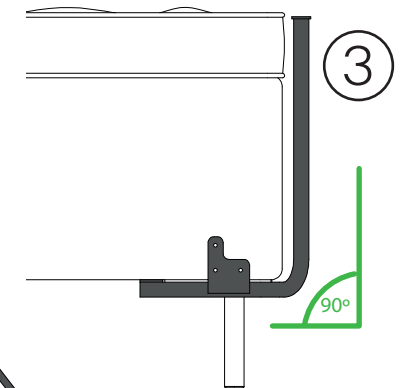
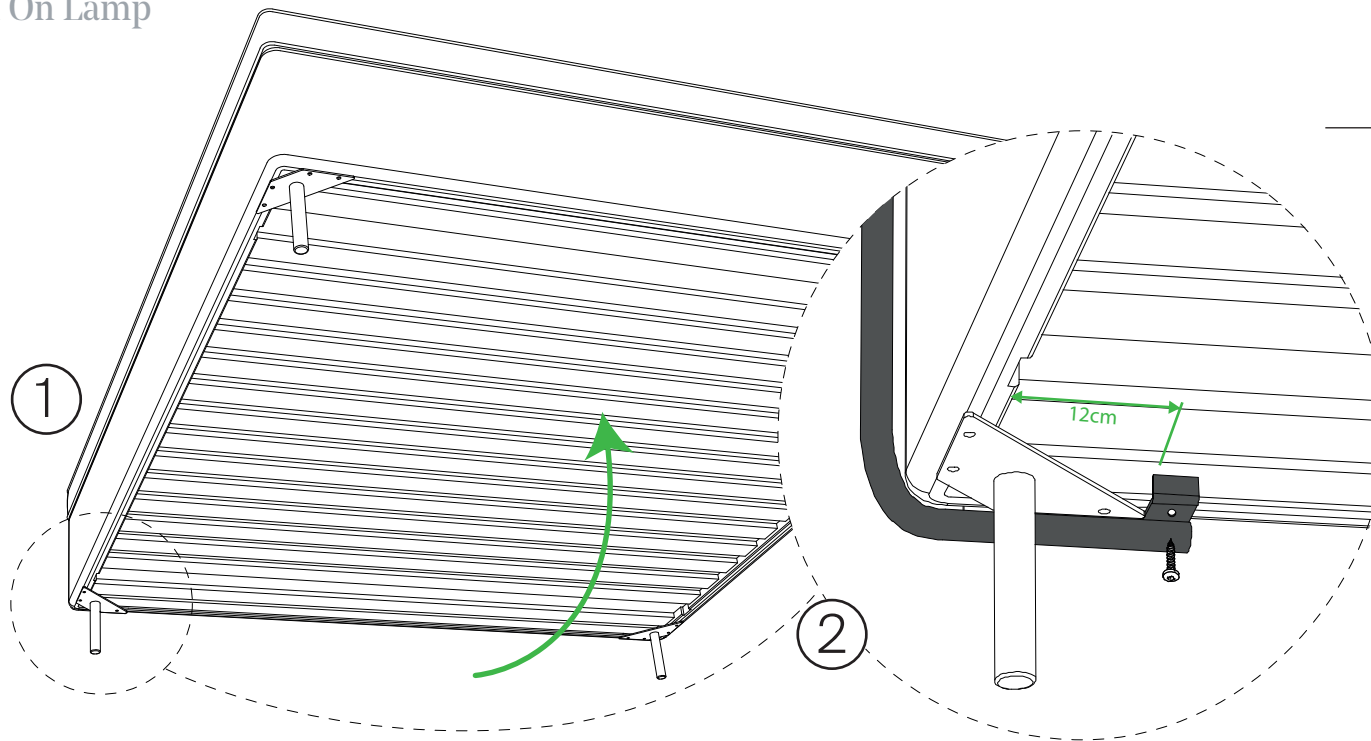


# Assembly Instructions

## Add On Lamp



230V~50Hz  
E14 (LED Only) Max. 40W



# Assembly Instructions

## Add On Lamp

