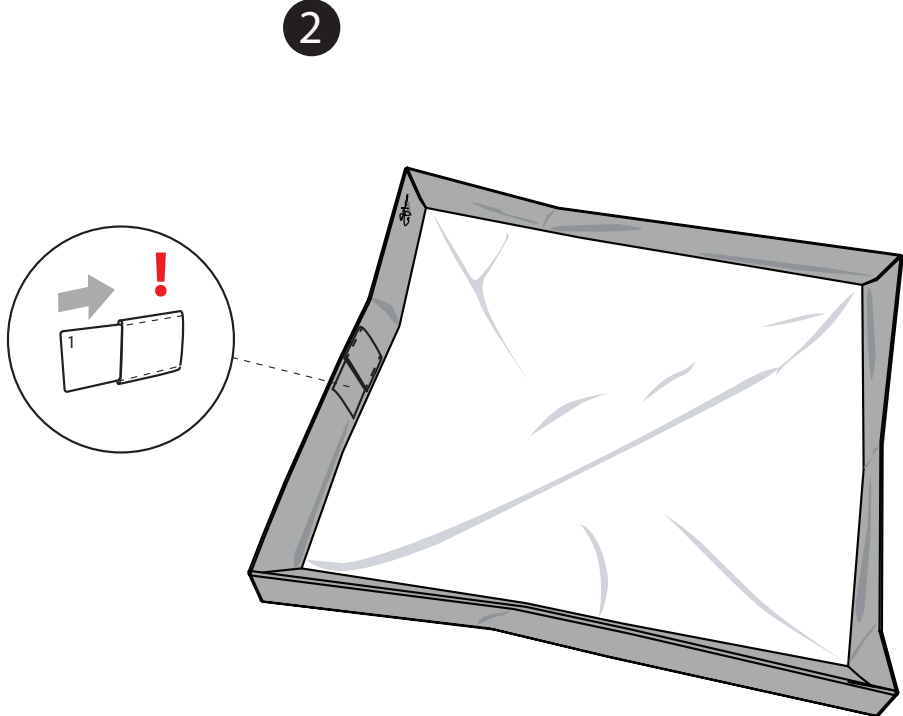
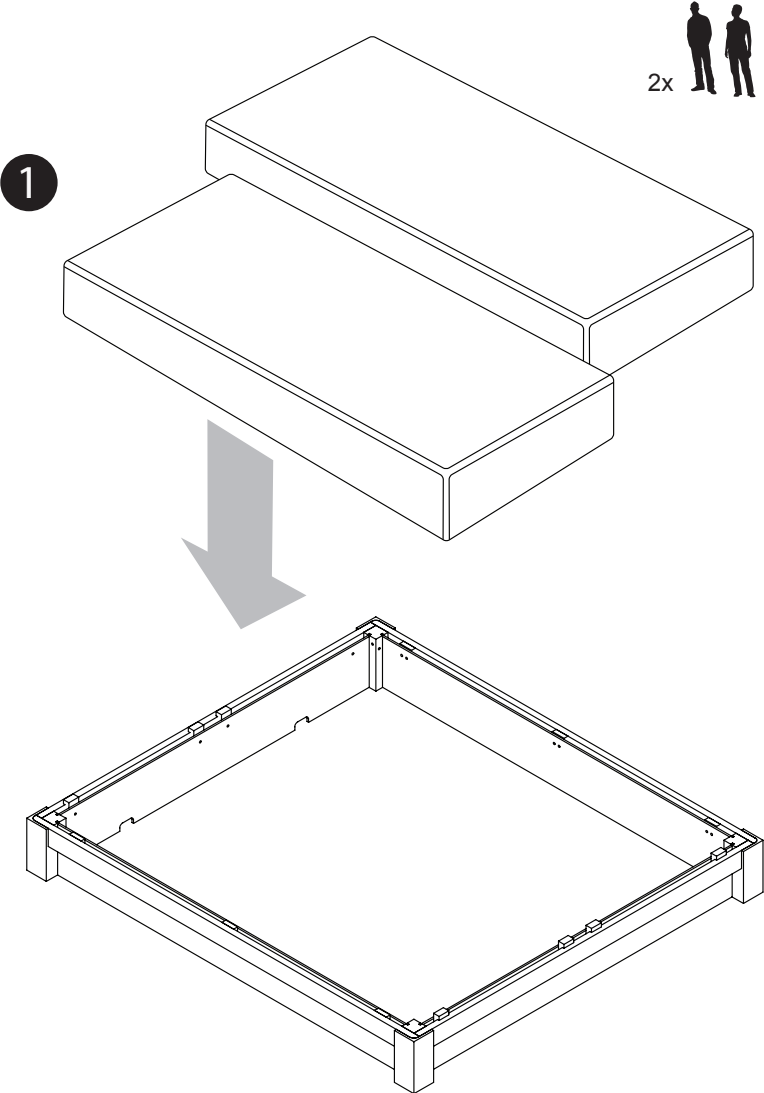
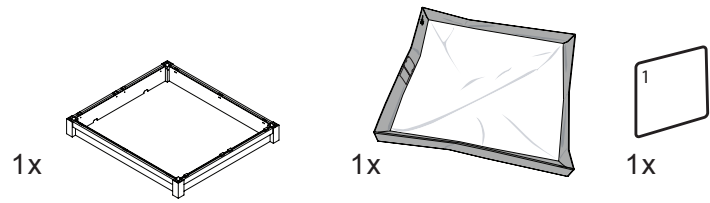
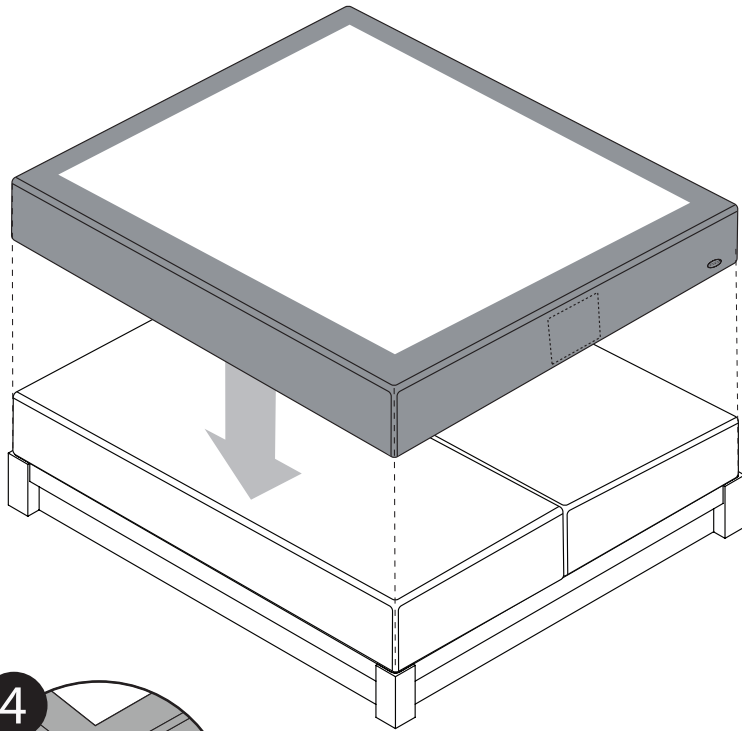


# Assembly instructions - Seamless base; Mistral bedbase

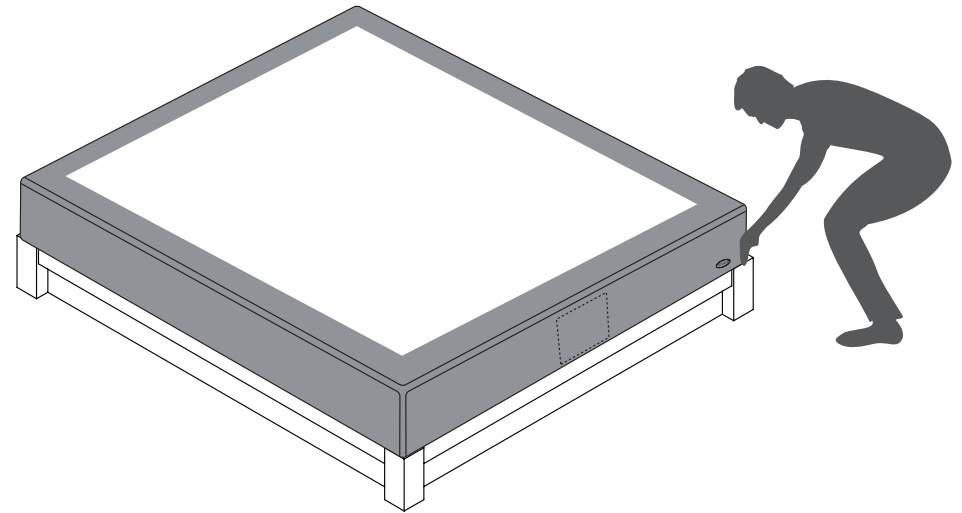


# Assembly instructions - Seamless base; Mistral bedbase

3



5



Attach velcro to the bottom of the bedframe all the way around.  
Lift each corner to adjust and attach cover properly.

Fest borrelås hele veien rundt undersiden av sengerammen.  
Løft hvert hjørne for å feste trekket korrekt også her.